

M21 ALL



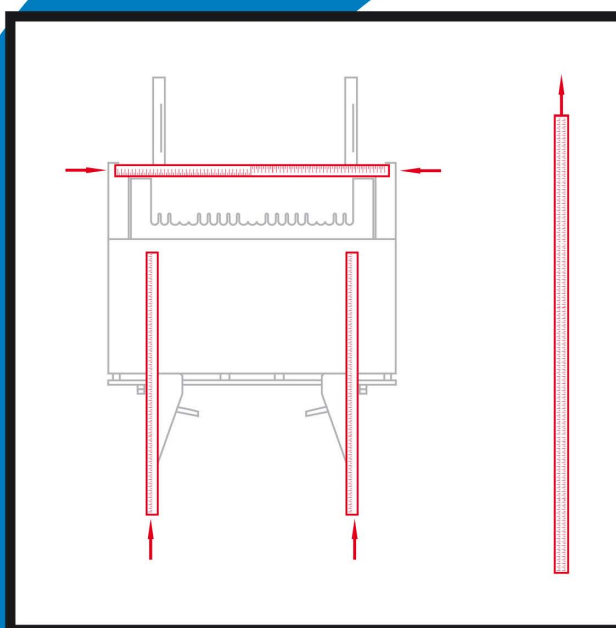
MESA



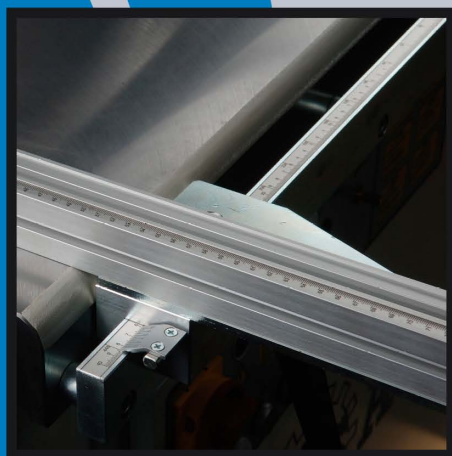
Extension of aluminium fence with 3 flip stops (optional) on side fence



Extension of aluminium fence with 3 flip stops (optional) on front fence



Possible solutions of positioning of extension with continuity of metric scale



Nonius of reference for side fence



Extension of working table



MESA di Terenzi Gianfranco
COSTRUZIONI MECCANICHE
Strada Borrana, 35 - 47899 Serravalle (Rep. San Marino)

tel. int. +378 900302
fax int. +378 901491
e-mail: me.sa@omniway.sm
website: www.mesa.sm